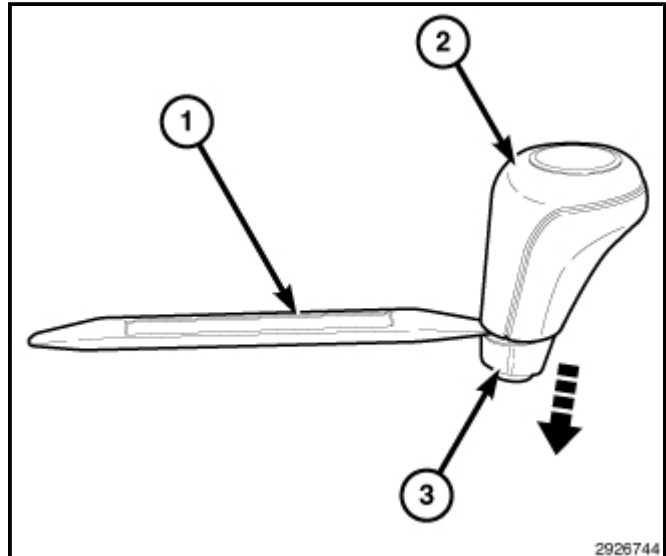


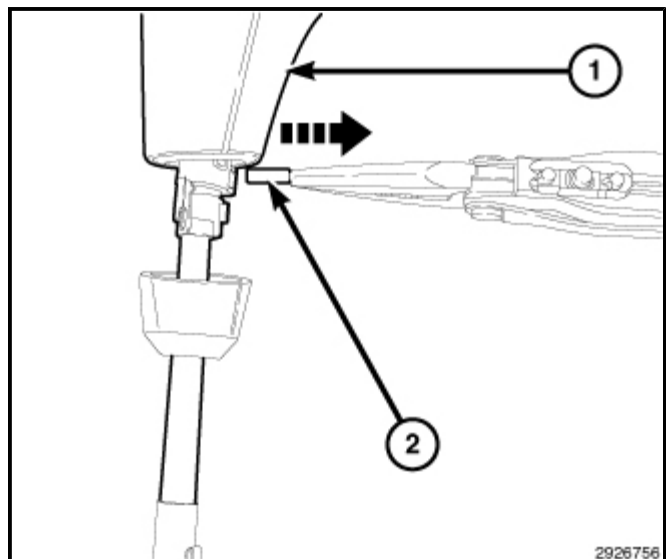
2011-2013 Grand Cherokee - Body/Interior/BEZEL, Shifter/Removal

REMOVAL

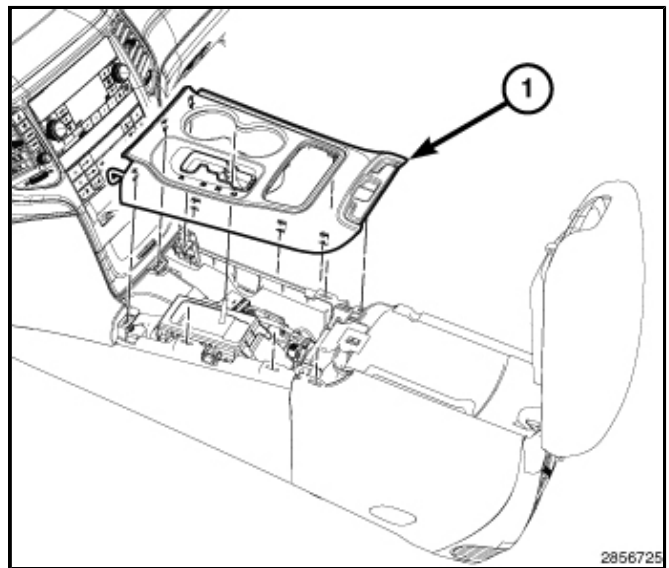
1. Using trim stick [C-4755](#) (1) or equivalent, separate the retaining ring (3) from the knob (2) and slide down the shifter shaft.



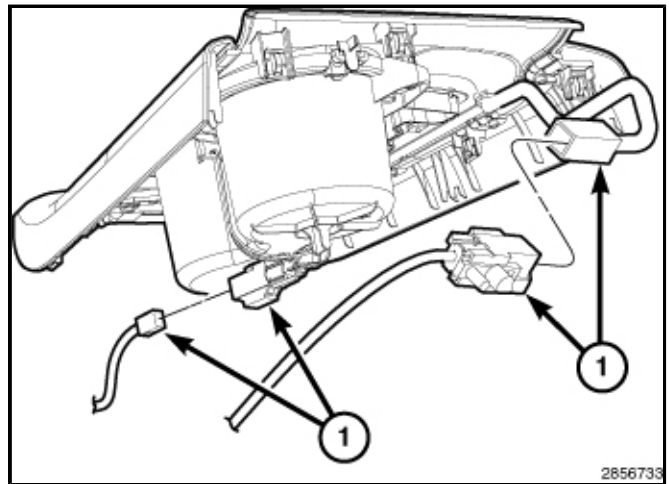
2. Remove the yellow stamped spring clip (2) from the knob (1) by grabbing the exposed tab with pliers and pulling straight out.
3. Pull the knob (2) off of the shift shaft.



4. Using trim stick [C-4755](#) or equivalent, release the clip fasteners and separate the console bezel.

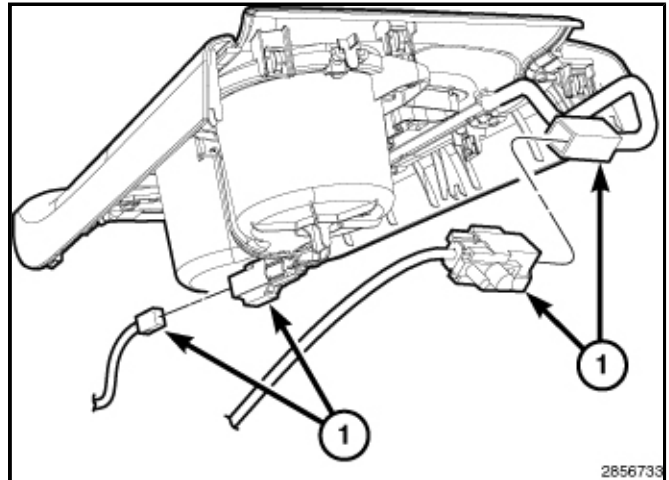


5. Disconnect the electrical connectors (1) and remove the shifter bezel.

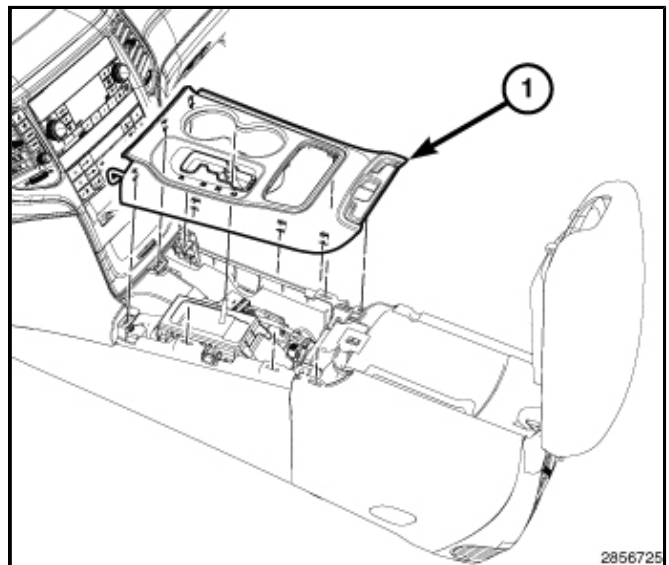


INSTALLATION

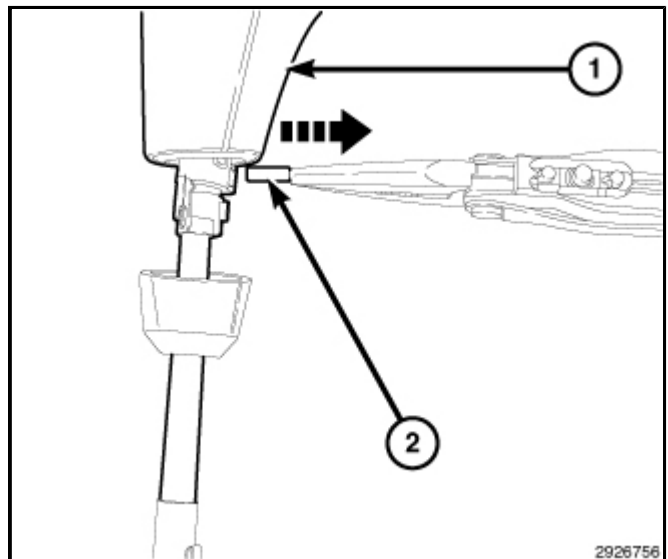
1. Connect the electrical connectors (1) to the shift bezel.



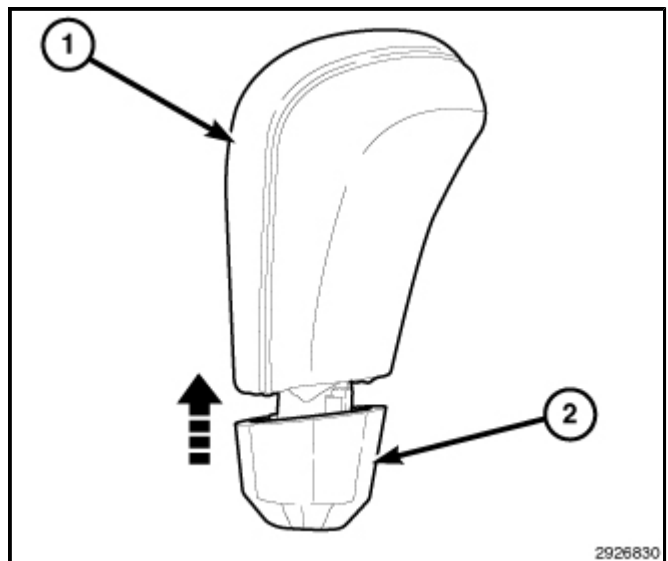
2. Position the console bezel back into place and seat the clip fasteners fully.



3. Replace the yellow stamped clip (2) into the knob (1). The tab orients toward the outside of knob, not the centerline. The flat side of the clip (opposite the tab), should be on the inside, toward the shaft.



4. Align the ribs on knob (1) with slots in the chrome shroud (2) and seat the shroud fully. Angle on the shroud must match the angle on the knob before snapping in place.



5. Place the gear selector lever into the Park position.
6. Install the knob (1) onto the shift shaft and seat fully.

