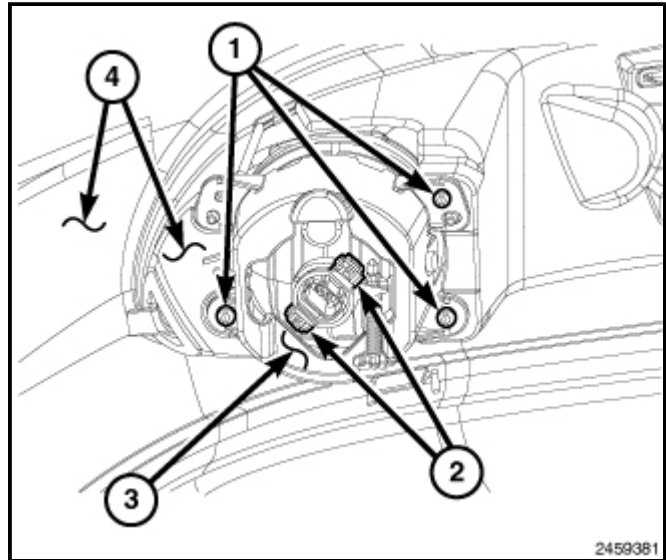


LAMP, front fog, removal

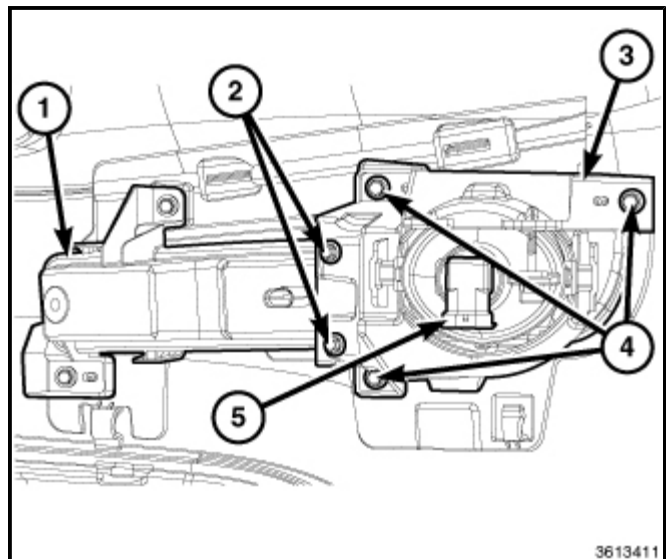
EXCEPT SRT

1. Disconnect and isolate the battery negative cable.
2. Reach through the outboard opening in the front of the front wheel house splash shield to access the back of the front fog lamp.
3. Disconnect the headlamp and dash wire harness connector from the front fog lamp bulb (2) connector receptacle.
4. Remove the three screws (1) that secure the front fog lamp mounting bracket (3) to the fog lamp bezel on the back of the lower front fascia (4).
5. Remove the front fog lamp from the vehicle.



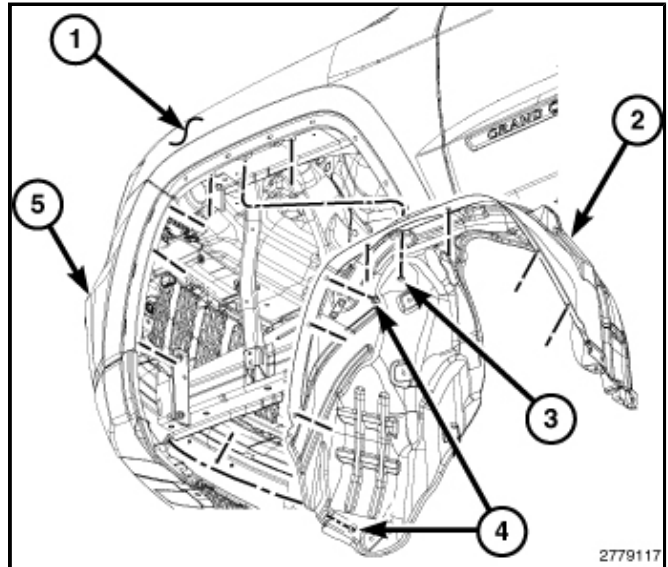
SRT

1. Disconnect and isolate the battery negative cable.
2. Remove the fasteners securing the lower portion of the front wheel house splash shield to the front fascia and fold the splash shield back away far enough to access the front fog lamp bracket (3).
3. Disconnect the headlamp and dash wire harness connector from the front fog lamp bulb connector receptacle (5).
4. Remove the three screws (4) that secure the front fog lamp bracket to the back of the front fascia.
5. Remove the two screws (2) that secure the front fog lamp bracket to the outboard end of the accent lamp housing (1).
6. Remove the front fog lamp and bracket from the accent lamp and the back of the front fascia as a unit.



Shield, Splash, removal

1. Remove the wheel and tire assembly.
2. Remove the front fender flare
3. Drill out and remove the plastic rivets that secure the sill cladding to the wheel liner (2).
4. Remove the fasteners (4) securing the liner to the front fascia (5).
5. Working around the perimeter, remove push-pins securing the liner to the fender (1).
6. Remove remaining push-pins and remove the wheel liner from the vehicle.



MOLDING, Front Wheel Opening, removal

1. Remove the plastic rivets (6) that secure the flares (1) to the fascia (5).
2. Release the clips (2) attaching the flare to the fender (3) and remove the flare.

