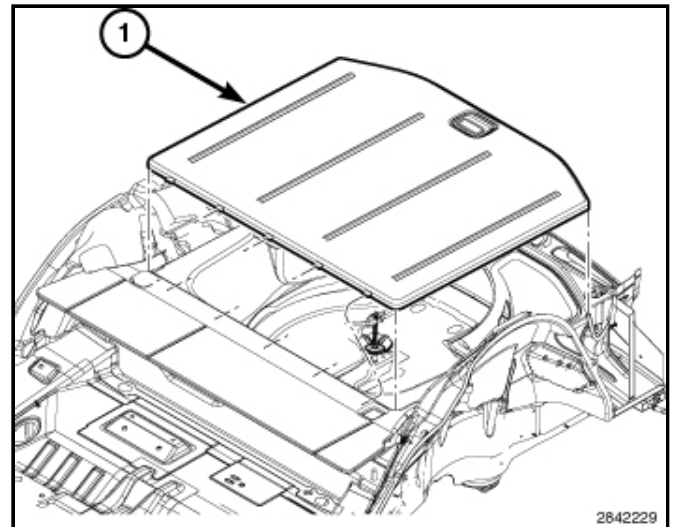
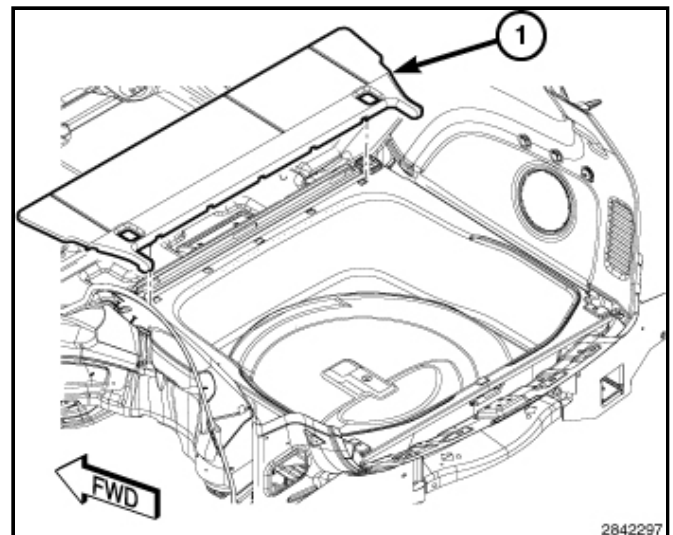


## 2019 Grand Cherokee - LOAD FLOOR, Cargo / Removal

1. Open and remove the load floor lid (1).

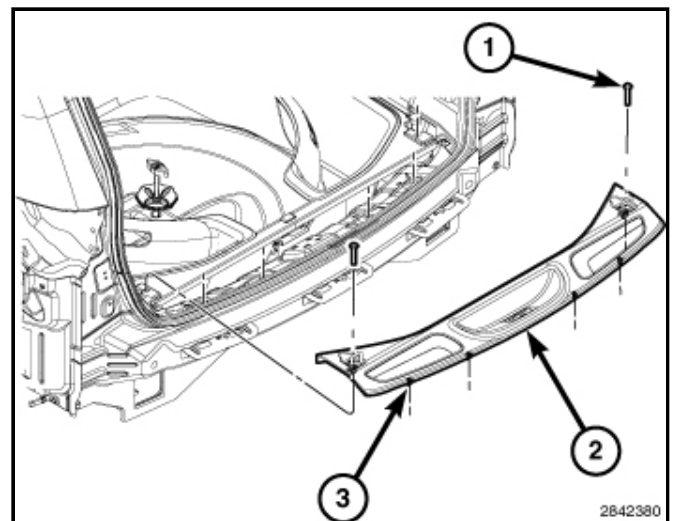


2. Using trim stick [C-4755](#) or equivalent, remove the load floor gap hider (1).



3. Remove the screws (1).

4. Using trim stick [C-4755](#) or equivalent, separate the retaining clips (3) and remove the liftgate scuff plate (2).



5. Remove the two front cargo loop screws (1).

6. Remove the rear nuts (3) and remove the load floor bin (2).

