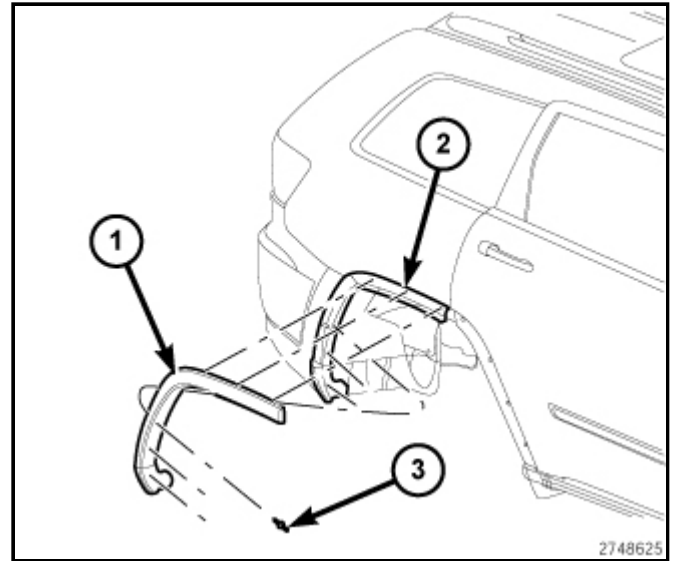
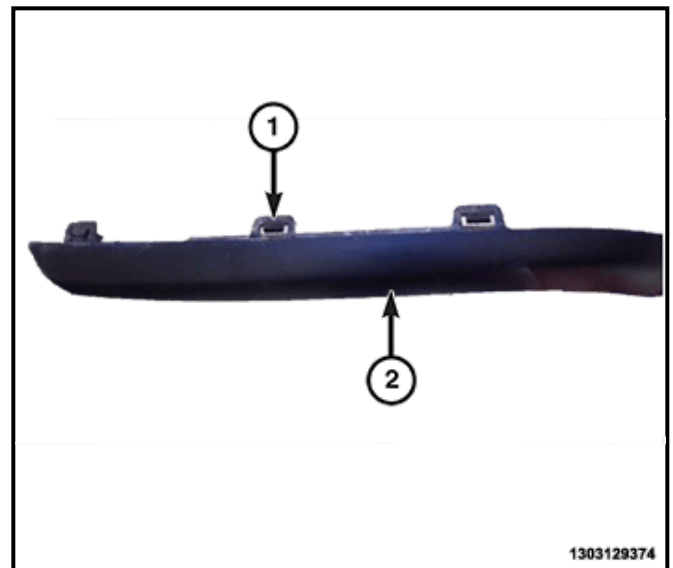


13 - Frame and Bumpers / Bumpers / FASCIA, Rear / Removal**REMOVAL**

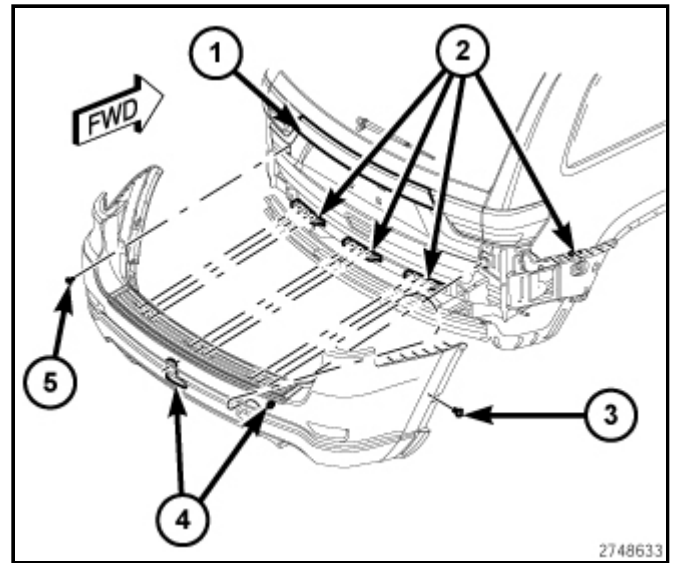
1. Remove the plastic rivets (3) that secure the fender flares (1) to the rear fascia.



2. With a trim stick or equivalent, press down on the clips (1) and remove both rear fender flares.



3. Open the rear liftgate (1).
4. Remove the two lower retainers (4) at the rear support beam.
5. Remove the fasteners (5) at the back sides of the quarter panels, in the liftgate opening.
6. Remove the fasteners (3) on both sides at the wheel well openings.



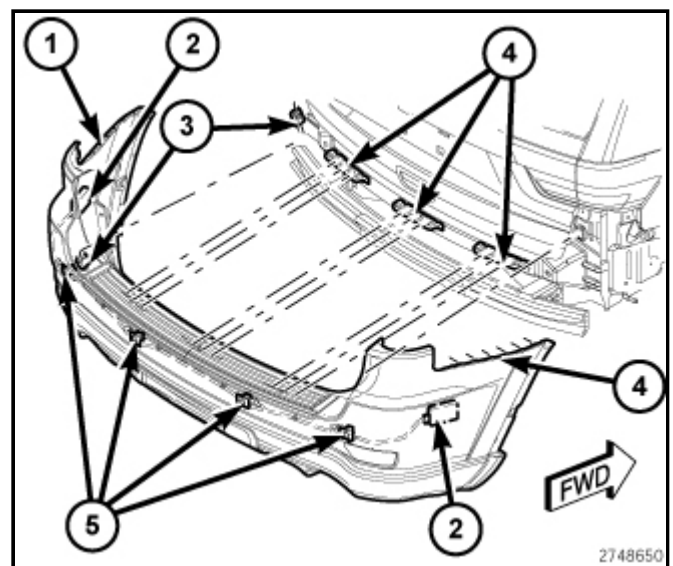
2748633

7. Release the integral latch features (2) at the sides and along the back and separate the fascia from the vehicle.

8. Disconnect the body harness electrical connector (3) and remove the fascia.

9. Remove both the park assist (5) and blind spot sensors (2), if equipped.

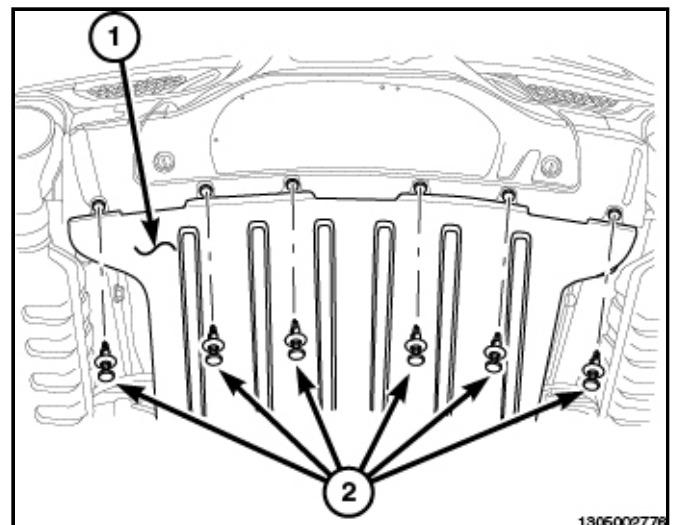
10. Remove the sensor electrical harness.



2748650

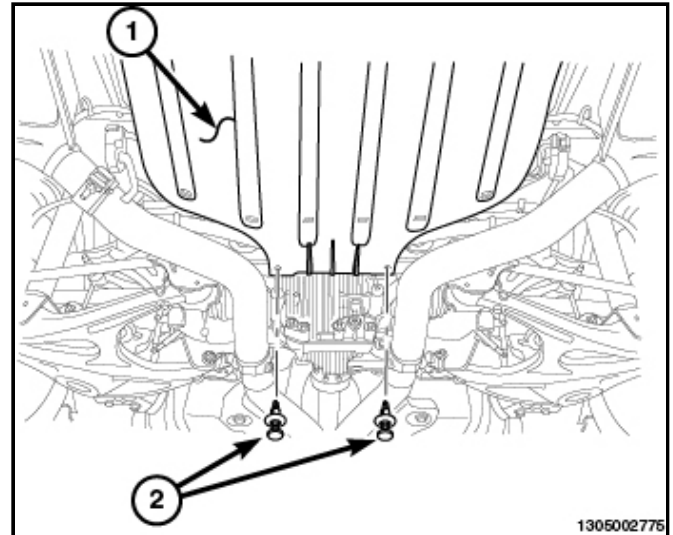
REMOVAL – SRT8

1. Remove the rear push pin fasteners (2) from the rear belly pan (1) to the fascia.

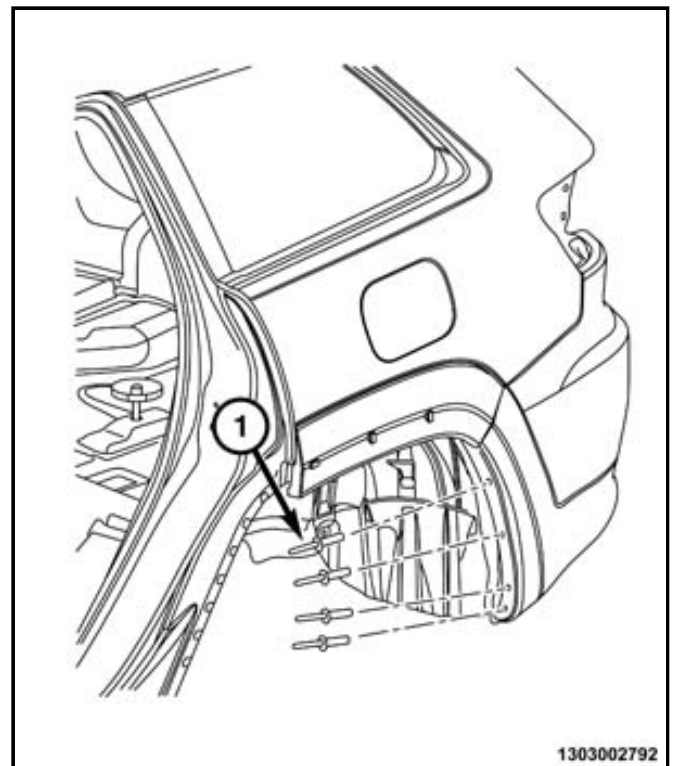


130600276

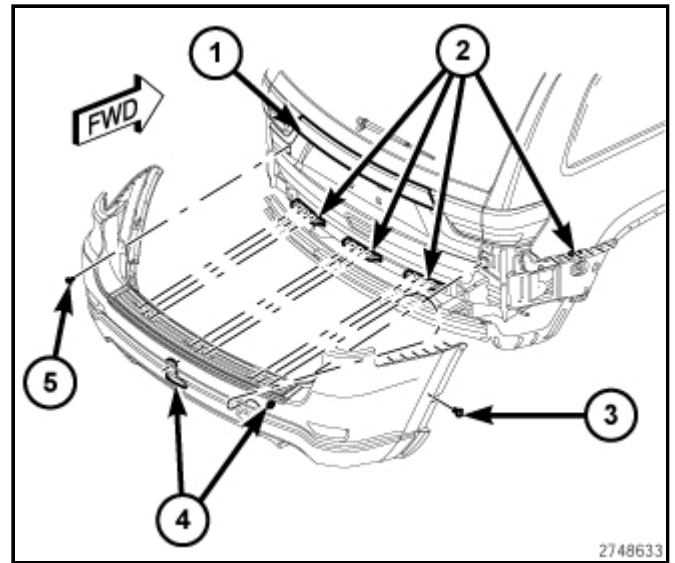
2. Remove the front push pin fasteners (2) and remove the rear belly pan (1).



3. Remove the plastic rivets (1) that secure the wheel liners to the rear fascia.



4. Open the rear liftgate (1).
5. Remove the fasteners (5) at the back sides of the quarter panels, in the liftgate opening.
6. Release the clips (2) and remove both rear fender flares.
7. Remove the two lower retainers (4) at the rear support beam.
8. Remove the fasteners (3) on both sides at the wheel well openings.



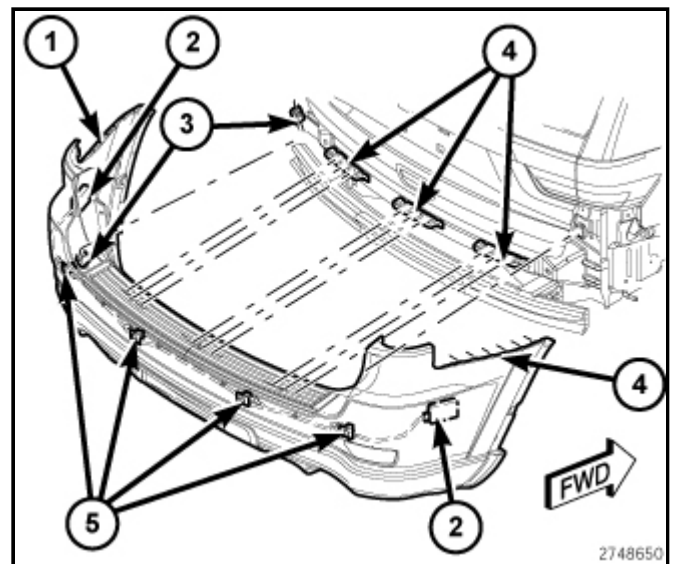
2748633

9. Release the integral latch features (2) at the sides and along the back and separate the fascia from the vehicle.

10. Disconnect the body harness electrical connector (3) and remove the fascia.

11. Remove both the park assist (5) and blind spot sensors (2), if equipped.

12. Remove the sensor electrical harness.



2748650