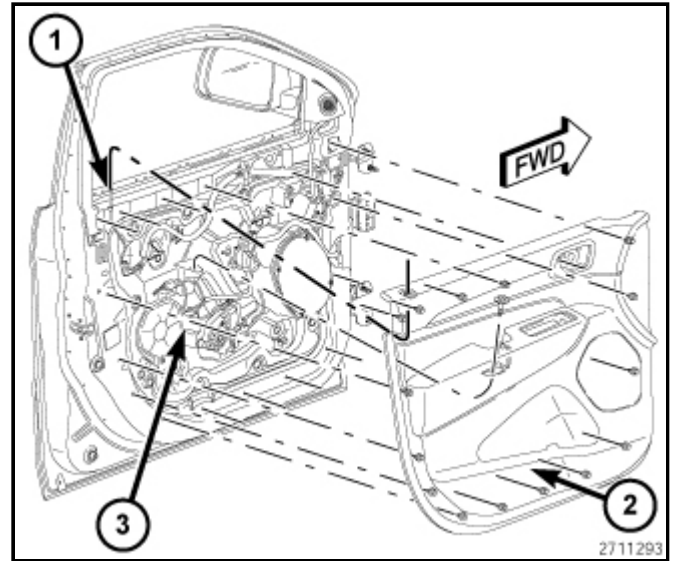
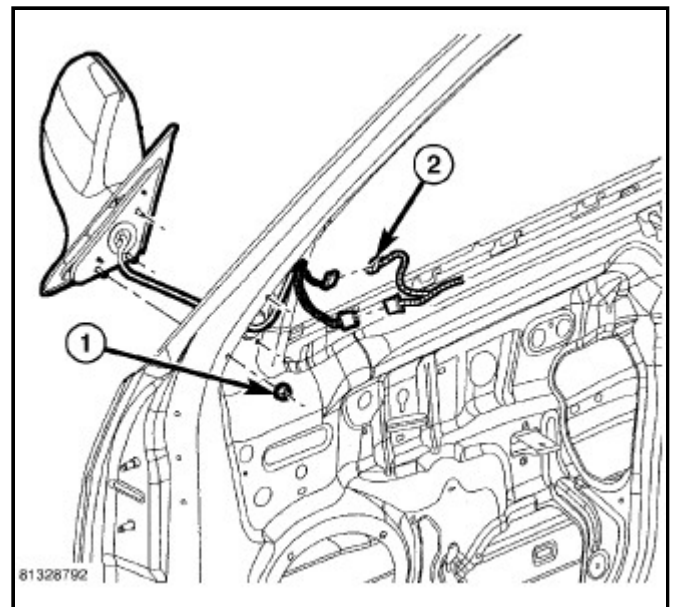


Grand Cherokee WK2 - Body / Exterior / MIRROR, Outside Rearview / Removal

1. Partially remove the door trim panel as necessary to gain access to the mirror.

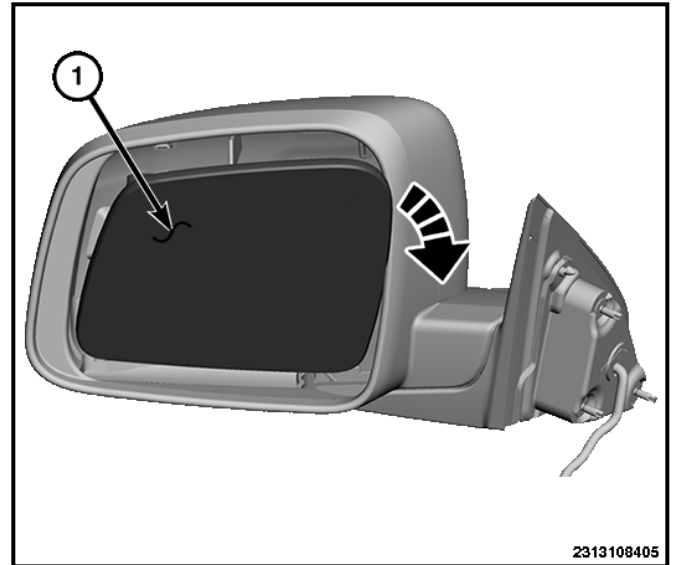


2. Disconnect the wire harness connectors (2) from the mirror.
3. Remove the three nuts (1) that secure the mirror to the door and carefully remove the mirror.



WARNING: Always wear eye and hand protection when servicing the mirror glass. Failure to observe these warnings may result in personal injury from broken glass.

1. Position the mirror glass (1) so that it is facing in toward the vehicle as far as possible.
2. Disconnect and isolate the negative battery cable.



3. Place thumbs behind mirror glass (1) and push out from the mirror assembly. This will release the mirror glass case's snap attachment feature.
4. Release the clips and separate the mirror glass from the motor. If equipped, disconnect the wire harness electrical connectors (2).

