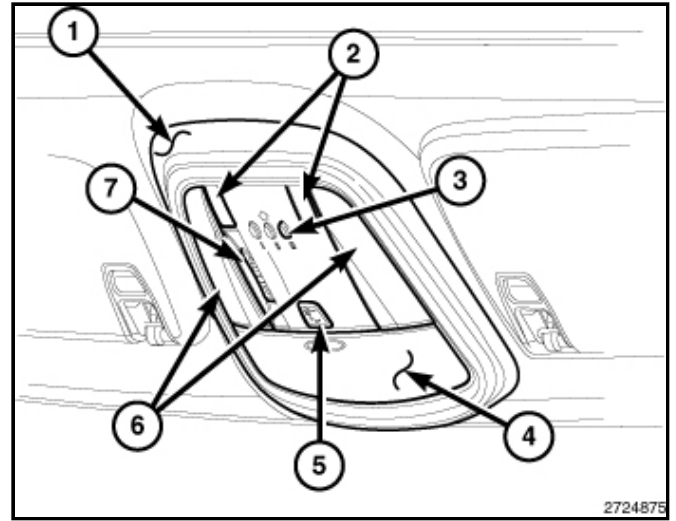


## 2019 Grand Cherokee / CONSOLE, Overhead, Front / Removal

1. Disconnect and isolate the negative battery cable.
2. Pull downward on the sides of the overhead console housing firmly and evenly to disengage the snap clips from the overhead console bracket.



3. Lower the overhead console far enough to access the wire harness connectors (1).
4. Disconnect the roof wire harness connectors from the connector receptacles.
5. Remove the overhead console.

