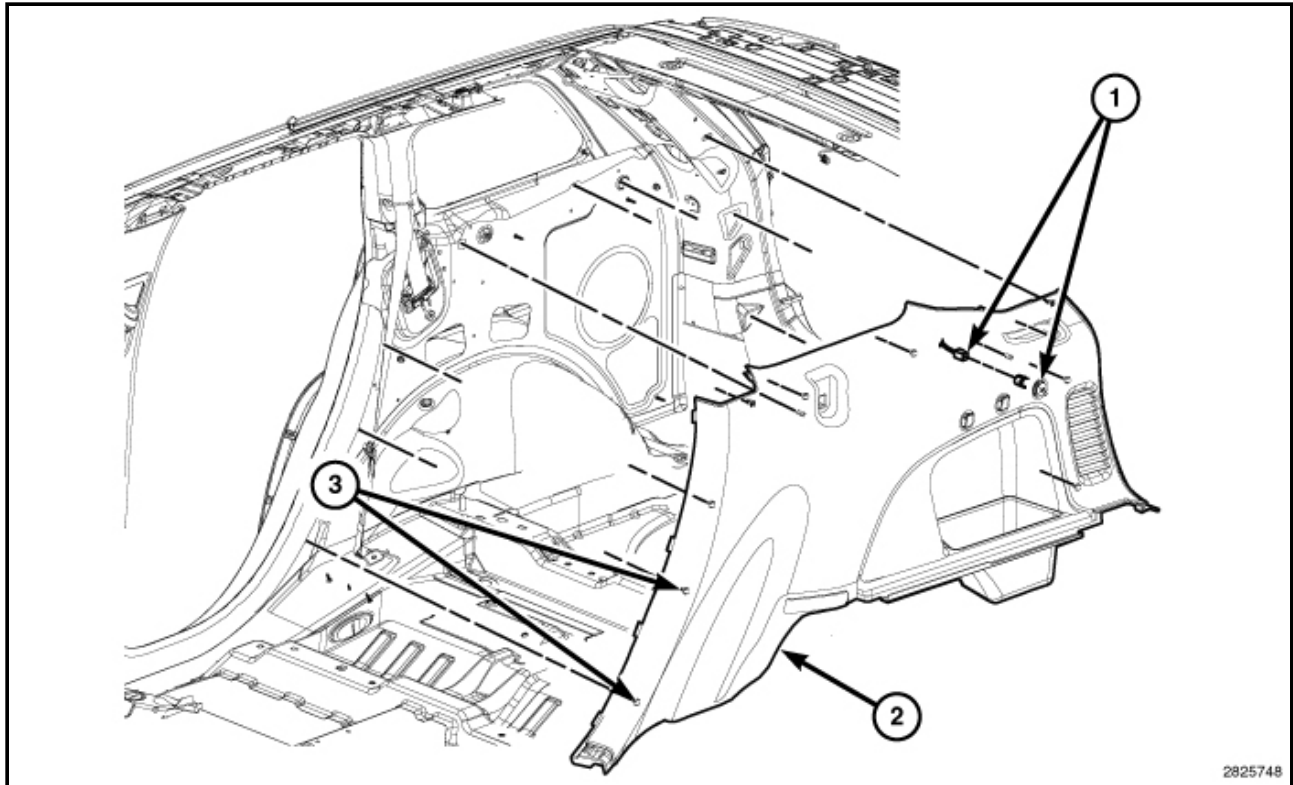


2019 Grand Cherokee - PANEL, Quarter Trim / Removal



1. Remove the load floor.
2. Remove the rear door scuff plate.
3. Loosen the door seal from the door opening.
4. Using a trim stick or equivalent, release the retaining fasteners (3) that secure the quarter trim panel to the quarter panel.
5. Pull the quarter trim panel away from the quarter panel and disconnect the power outlet wire harness connector (1), if equipped.
6. Remove the quarter trim panel (2).