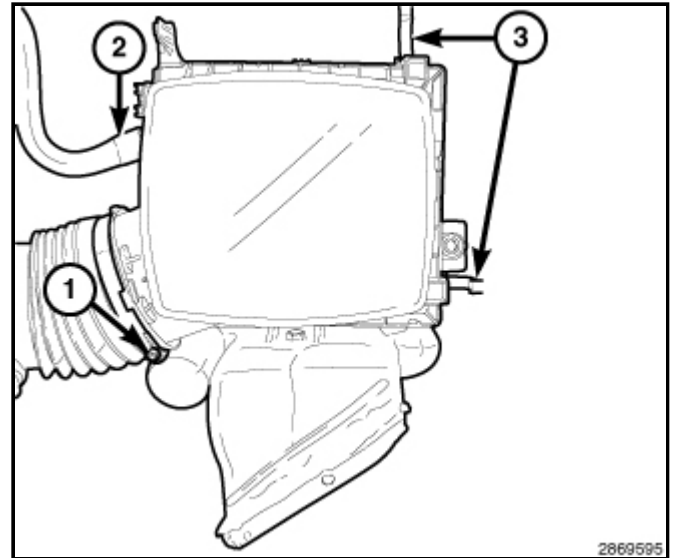
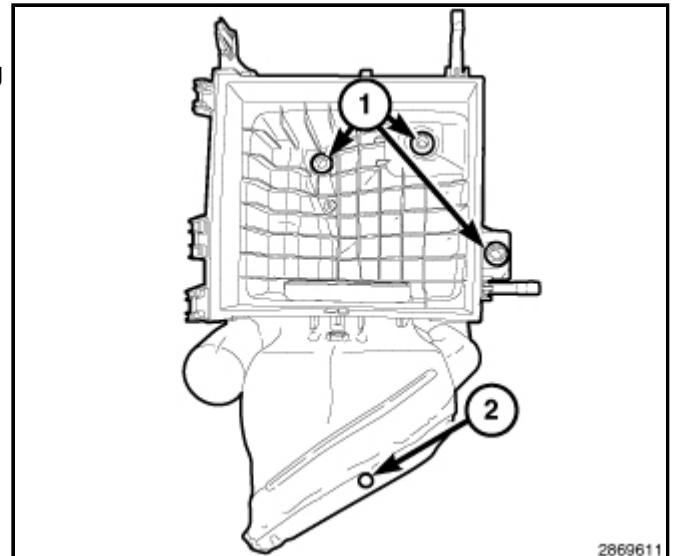


AIR CLEANER HOUSING

1. Loosen the clean air hose clamp (1) at the air cleaner cover and disconnect the clean air hose.
2. Remove the make up air hose (2) at the air cleaner cover.
3. Release the 2 spring clips (3) from the air cleaner cover.
4. Remove the air cleaner cover from the housing assembly.
5. Remove the air filter element from the housing assembly.

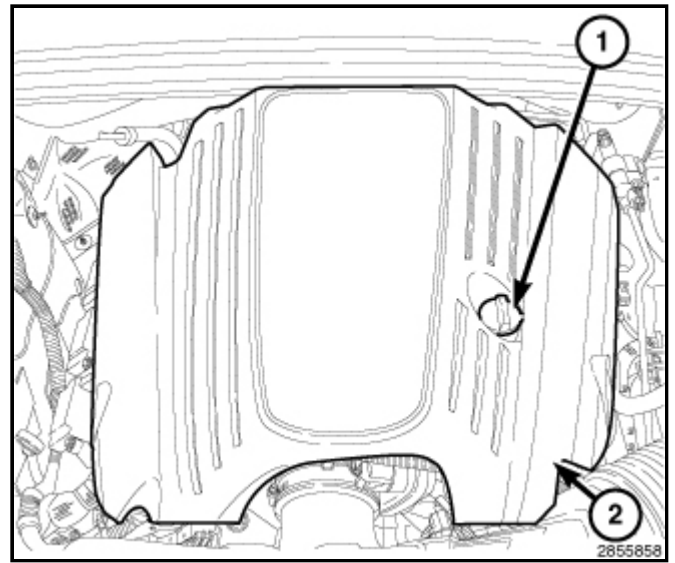


6. Remove the push pin retainer (2) at the air cleaner housing duct.
7. Lift and separate the air cleaner housing rubber grommets (1) from the ball studs and remove the air cleaner housing.



RESONATOR ASSEMBLY

1. Remove the oil fill cap (1).
2. Lift and separate the engine cover retaining grommets from the ball studs and remove the engine cover (2).



3. Disconnect the electrical connector at the Intake Air Temperature (IAT) sensor (1).
4. Loosen the clean air hose clamp at the air cleaner housing (2).
5. Remove the resonator retaining bolt (3).
6. Loosen the resonator hose clamp at the throttle body (4) and remove the resonator.

