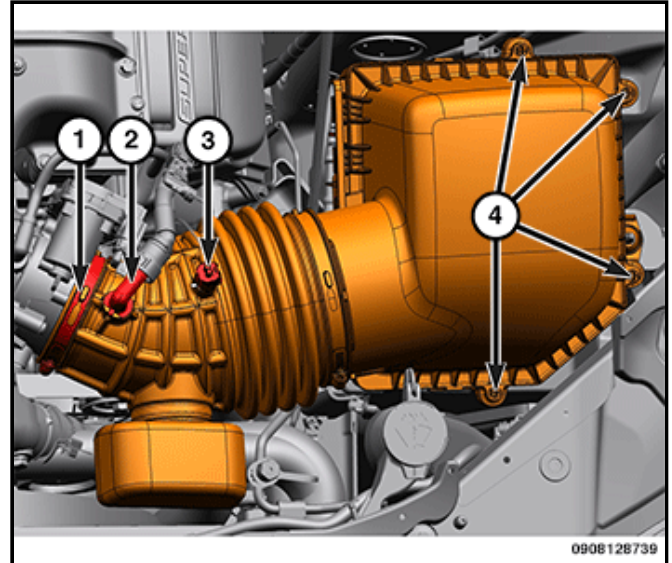
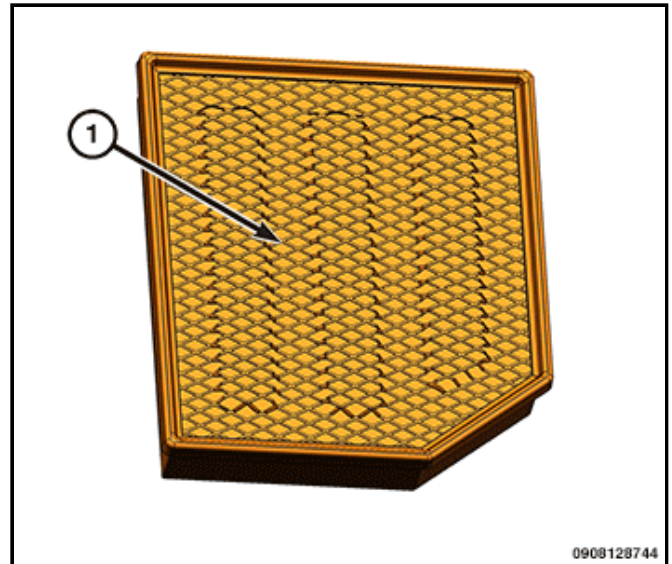


2020 Grand Cherokee - Air Intake System 6.2L / AIR CLEANER / Removal

1. Disconnect and isolate the negative battery cable.
2. Remove the air cleaner housing cover retaining screws (4).
3. Disconnect the Intake Air Temperature (IAT) sensor wire harness connector (3).
4. Disconnect the make-up air hose (2).
5. Loosen the clamp (1) and remove air cleaner housing cover and inlet tube assembly.



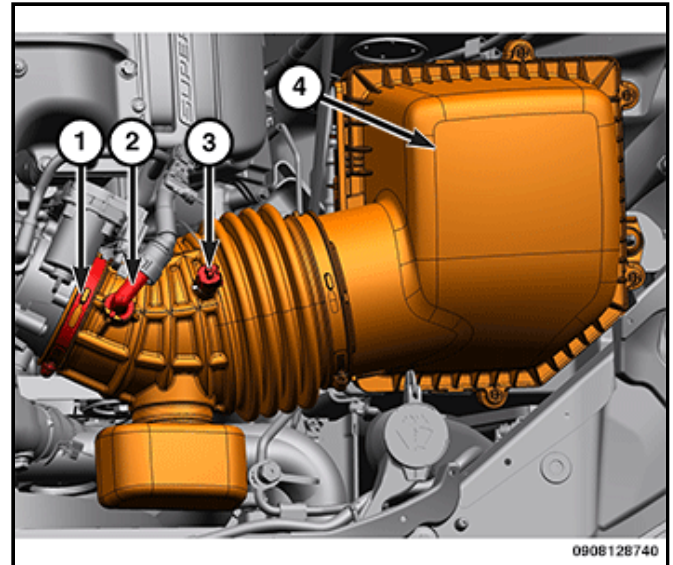
6. Remove the air cleaner element (1) from the housing.



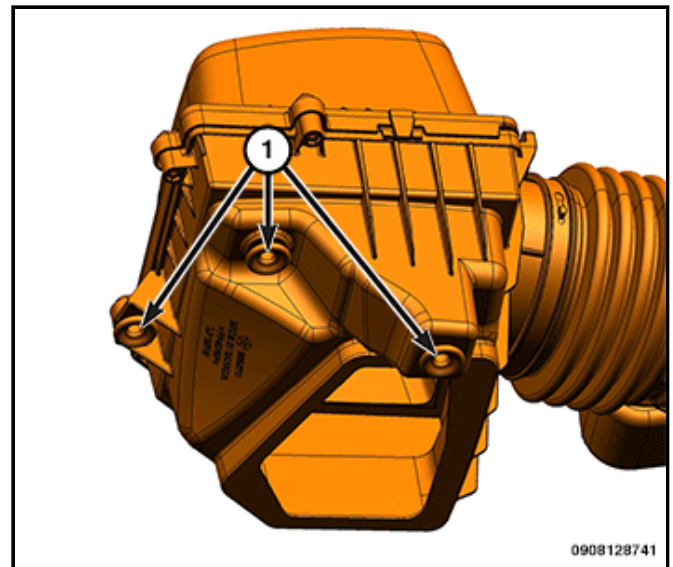
7. Clean the inside of air cleaner housing before replacing element.

2020 Grand Cherokee Air Intake System 6.2L / BODY, Air Cleaner / Removal

1. Disconnect and isolate the negative battery cable.
2. Loosen the air inlet tube retaining clamp (1) at the throttle body.
3. Disconnect the make-up air tube (2).
4. Disconnect the Inlet Air Temperature (IAT) sensor wire harness connector (4).



5. Lift the air cleaner housing (4) vertically.
6. There are three grommets (1) on the bottom of the air cleaner housing that secure it to the vehicle.



7. If necessary, remove the air inlet tube clamp from the air cleaner housing to remove the air inlet tube.