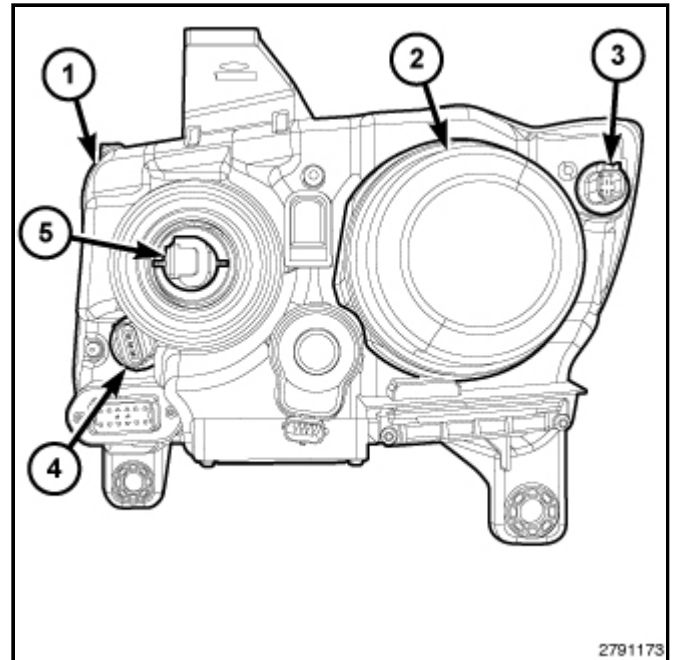


2020 Grand Cherokee

LIGHTING ELEMENT - HIGH INTENSITY DISCHARGE - REMOVAL

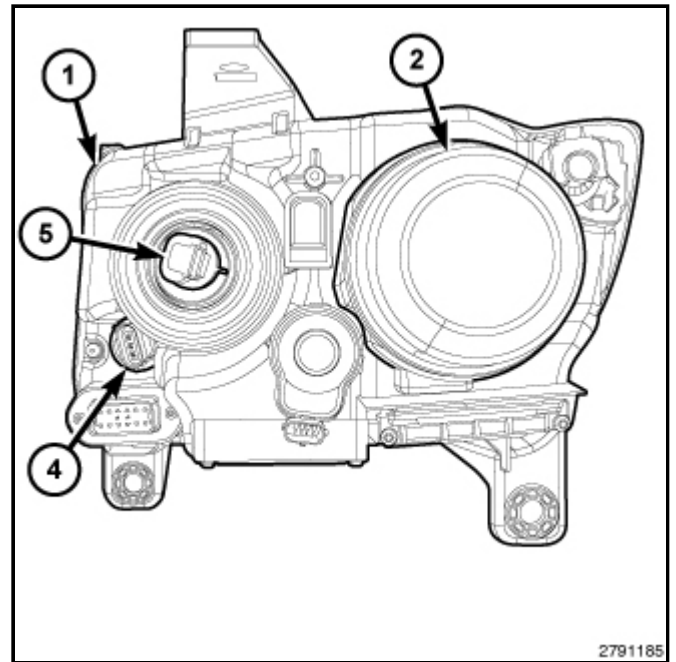
WARNING: To avoid serious or fatal injury when working on the High Intensity Discharge (HID) headlamp system, be certain to take the proper precautions. The headlamp switch must be in the OFF position. Disconnect and isolate the battery negative cable. There is a risk of fatal injury caused by contact with high voltage used in the HID headlamps. There is a risk of explosion or fire caused by highly flammable materials in the vicinity of damaged HID lighting elements. There is a risk of injury caused by exposure to Ultra Violet (UV) light, a risk of burns caused by high component operating temperatures, a risk of mercury poisoning through glass splinters produced by bursting HID lighting elements. There is also a risk of poisoning caused by inhalation of mercury vapors and by toxic salts and mercury compounds being ingested or coming into contact with the skin. Do not come into contact with parts that are under high voltage. Persons with active electronic implants (e.g. heart pacemakers) must never work on HID headlamps. Wear insulated safety shoes, safety glasses and protective gloves. Remove flammable materials and ensure sufficient ventilation in the working area.

CAUTION: Do not contaminate the lighting element glass by touching it with your fingers or by allowing it to contact other oily surfaces. Shortened lighting element life will result.



High Intensity Discharge (HID) - Domestic

1. Disconnect and isolate the battery negative cable.
2. Remove front lamp from vehicle ([Refer to 08 - Electrical/Lamps/Lighting - Exterior/UNIT, Front Lamp/Removal](#)).
3. Remove the molded plastic cover (2) from the back of the front lamp unit housing (1) to access the High Intensity Discharge (HID) lighting element and igniter unit.



High Intensity Discharge (HID) - Export

4. Using the two tabs of the black plastic lock ring located just behind the HID igniter (3) for leverage, rotate the lock ring counterclockwise to unlock the igniter from the mounting flange on the back of the lamp reflector (2).
5. Firmly grasp the igniter housing and pull the igniter and lighting element unit away from the mounting flange on the back of the lamp reflector far enough to release them from the spring clips (1) integral to the perimeter of the flange.
6. Pull the HID igniter and lighting element straight out from the opening in the reflector as a unit.
7. Carefully pry the two small metal latch tabs at the front and back of the high tension cable connector (4) while disconnecting the connector from the connector receptacle integral to the lower edge of the igniter housing.

